

### Receiver

### From

Society  
Reference  
Address  
Phone  
Fax  
E-mail

Item n° :

Model :

3 ESYBOX MAX 85/120 T

#### Pump data

Pressure rating : 11,84 atm  
Constant pressure range : 0,986911,84 atm (2,961atm by default)  
Min. fluid temperature : 0 °C  
Max. fluid temperature : 50 °C  
Max. Ambient temperature : 55 °C

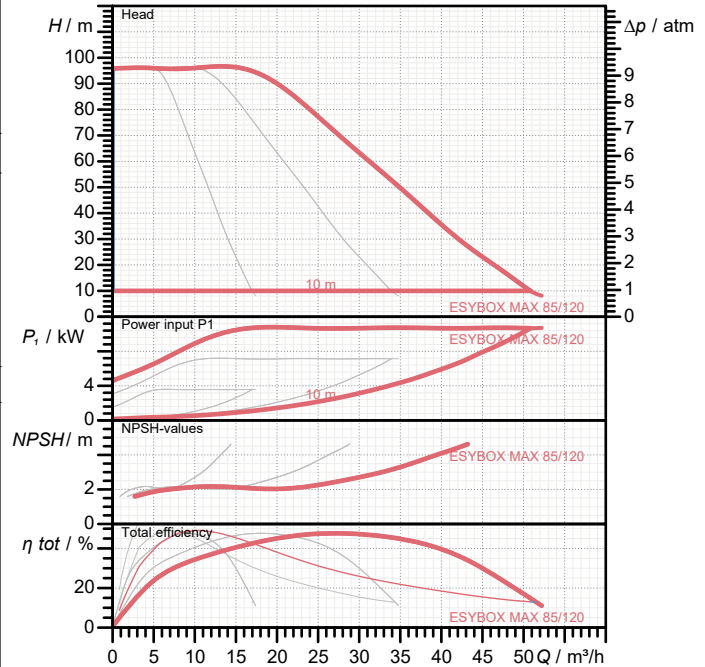
#### Requested data

Flow :  
Head :  
Fluid : Water  
Fluid Temperature : 20 °C  
Density : 998,3 kg/m<sup>3</sup>  
Kinematic viscosity : 1,005 mm<sup>2</sup>/s  
Vapor pressure : 0,02 atm

#### Materials

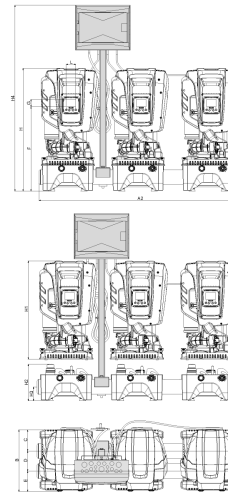
Fitting : Technopolymer PA66 30%GF  
Manifold : Stainless Steel AISI 304  
Flange : Technopolymer PA66 30%GF  
Pump body : Technopolymer PA66 30%GF  
Pump body ring : Technopolymer PP 30%GF  
Impeller : Technopolymer PP 30%GF/AISI 304  
Diffuser : Technopolymer PP 30%GF/AISI 304  
Motor axis : Stainless Steel AISI 303  
OR ring : EPDM  
Motor flange : Technopolymer PA66 30%GF  
Mechanical seal : Impregnated carbon-resin/Silicon carbide/EPDM  
Motor liner : Stainless Steel AISI 304  
Motor body : Technopolymer PA66 30%GF  
Conveyor tube : Technopolymer PP 30%GF  
Pressure sensor : Nylon/EPDM  
Non-return valve : POM/EPDM/AISI 302  
Non-return valve body : Technopolymer PA66 30%GF  
Tank : Noryl/Rubber  
Delivery body : Technopolymer PA66 30%GF  
Outer liner : Stainless Steel AISI 304

#### Curve tolerance according to ISO 9906



#### Hydraulic data (duty point)

Flow :  
Head :



\*Without the pillar kit and panel, do not consider the H4

#### Dimensions in mm

|     |       |    |       |    |       |  |  |
|-----|-------|----|-------|----|-------|--|--|
| A2  | 1,250 | E  | 127,7 | H3 | 87    |  |  |
| B   | 384   | F  | 526   | H4 | 1.158 |  |  |
| C   | 131,8 | G  | 45    | L  | 59,5  |  |  |
| D   | 124,5 | H  | 766   |    |       |  |  |
| DNA | 2"    | H1 | 613   |    |       |  |  |
| DNM | 2"    | H2 | 228   |    |       |  |  |

Weight : 117 kg

#### Pump connection

Suction side : 2" G / 11,84 atm  
Discharge side : 2" G / 11,84 atm

#### Motor data

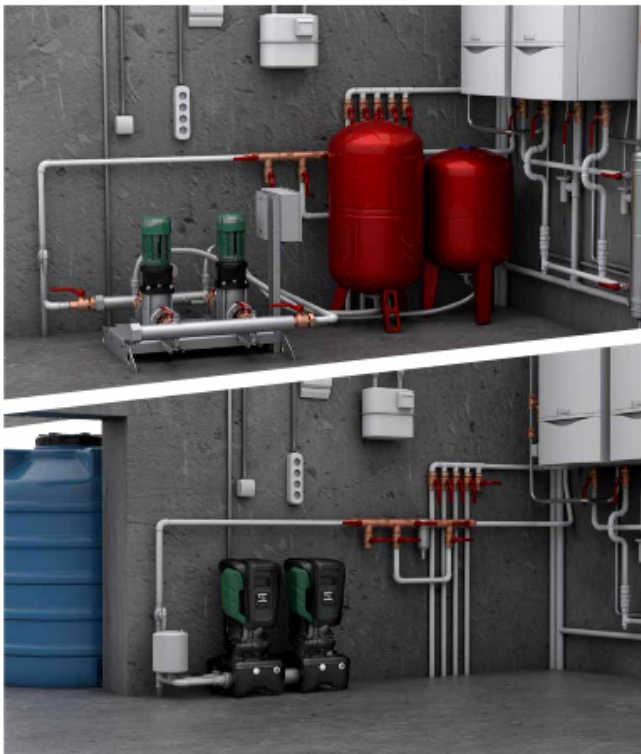
Power input P<sub>1</sub> : 3 x 3,5 kW  
Maximum speed : 5.350 1/min  
Rated voltage : 3~ 380-460 V 50 Hz  
Nominal current : 3 x 5,5 A  
Degree of protection : IP X5

# ENERGY SAVING

BEFORE

AFTER

- **20%**  
Compared with  
traditional inverter pump



**D+CONNECT**  
BUILT-IN



As quick as a "click"





# PERFORMANCE CURVES

2022-10-10

Page 3 / 4

DAB PUMPS S.p.A.  
Via Marco Polo, 14 - 35035 Mestrino (PD), Italy  
Tel. +39 049 5125000 - Fax +39 049 5125950  
www.dabpumps.com

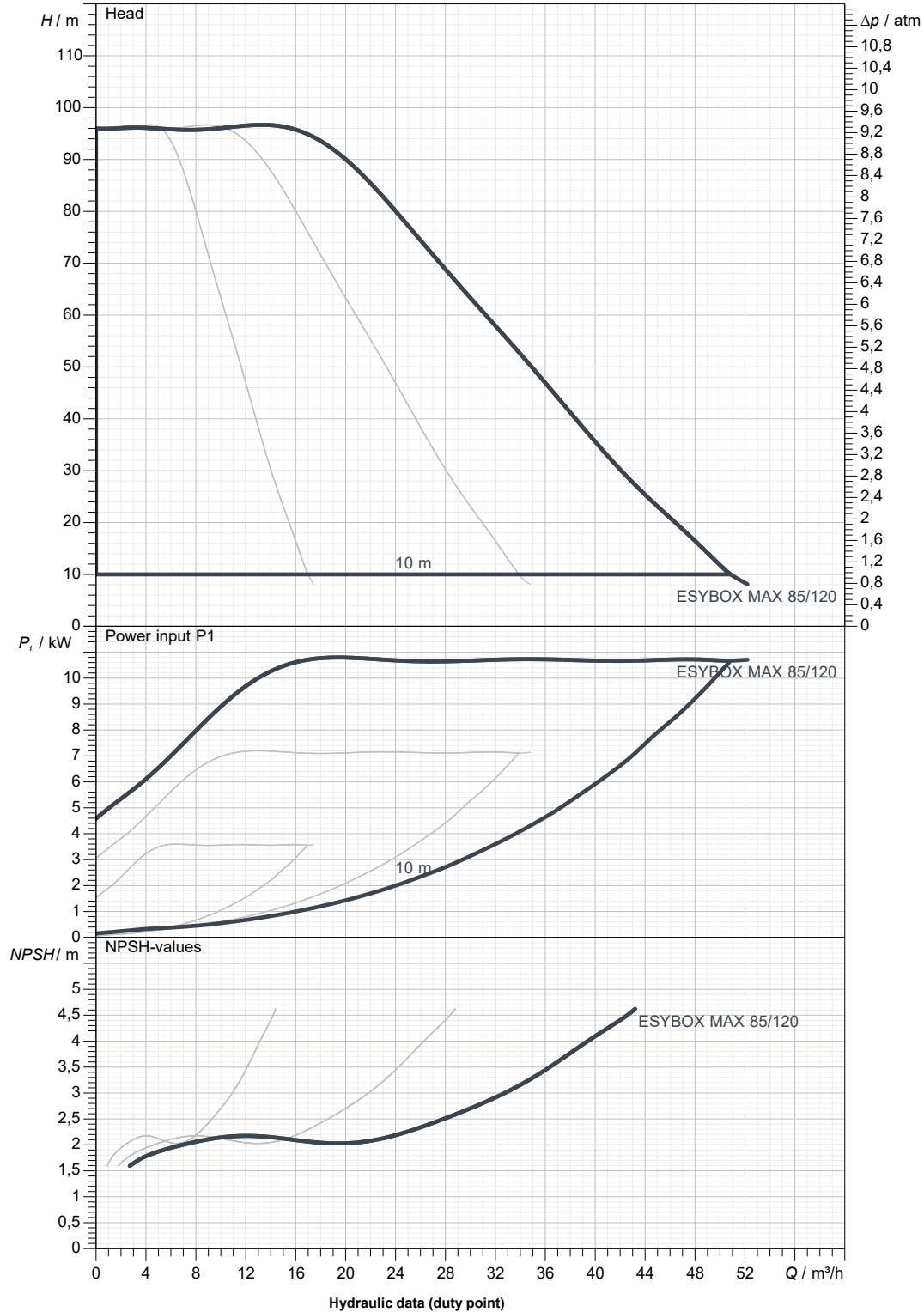
Receiver

From

Society  
Reference  
Address  
Phone  
Fax  
E-mail

## 3 ESYBOX MAX 85/120 T

Curve tolerance according to ISO 9906



Suction side :  
2" G  
11,84 atm

Discharge side :  
2" G  
11,84 atm

Flow :

Head :

Rated speed :  
5.350 1/min

MAIN\_PROJECT\_TITLE

BUSINESS\_PROCESS\_ID

OWNER\_

ISSUE\_DATE  
2022-10-10



# DIMENSIONAL DRAWING

2022-10-10

Page 4 / 4

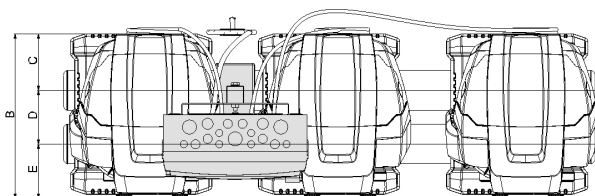
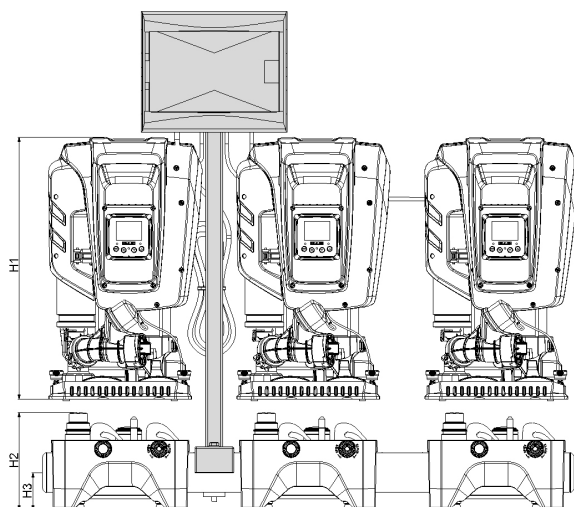
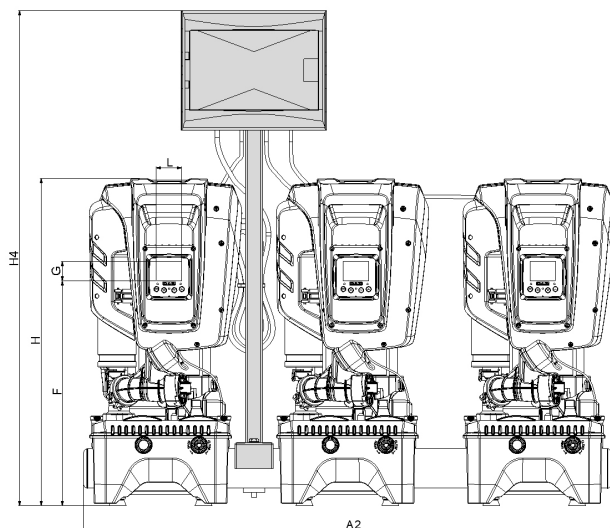
DAB PUMPS S.p.A.  
Via Marco Polo, 14 - 35035 Mestrino (PD), Italy  
Tel. +39 049 5125000 - Fax +39 049 5125950  
www.dabpumps.com

Receiver

From

Society  
Reference  
Address  
Phone  
Fax  
E-mail

## 3 ESYBOX MAX 85/120 T



\*Without the pillar kit and panel, do not consider the H4

| Dimensions in mm |     |       |    |       |  | Pump connection  |
|------------------|-----|-------|----|-------|--|--|
| 1                | A2  | 1.250 | H3 | 87    |  | Suction<br>2" G<br>12 bar (1200 KPa)<br><br>Discharge<br>2" G<br>12 bar (1200 KPa) |
| 2                | B   | 384   | H4 | 1.158 |  |  |
| 3                | C   | 131,8 | L  | 59,5  |  |  |
| 4                | D   | 124,5 |    |       |  |  |
| 5                | DNA | 2"    |    |       |  |  |
| 6                | DNM | 2"    |    |       |  |  |
| 7                | E   | 127,7 |    |       |  |  |
| 8                | F   | 526   |    |       |  |  |
| 9                | G   | 45    |    |       |  |  |
| 10               | H   | 766   |    |       |  |  |
| 11               | H1  | 613   |    |       |  |  |
| 12               | H2  | 228   |    |       |  |  |

|                    |                     |       |                          |
|--------------------|---------------------|-------|--------------------------|
| MAIN_PROJECT_TITLE | BUSINESS_PROCESS_ID | OWNER | ISSUE_DATE<br>2022-10-10 |
|--------------------|---------------------|-------|--------------------------|